

**TECHNICAL DATA**

- 1) ALL DIMENSIONS ARE IN mm.
- 2) ALL FERROUS PARTS NOT D.P. GALV.
- 3) TOTAL WEIGHT: 30 KG 25 %
- 4) TOLERANCES ± 1% ON TOTAL LENGTH OF HARDWARE FITTING.
- 5) SPRING WASHER ARE ELECTRO GALV.
- 6) BALL & SOCKET SIZE: 16 mm BS 45 SER 15:2486(PART-III)

\*: Insulators in each arm -  
 - 2x 145mm disc insulator  
 or  
 - 2x 1523 mm long rod insulator  
 (with intermediate arcing horns)

ST. NO.	DESCRIPTION	QTY.	MATERIAL
1	ARMOUR ROD	1 SET	M. 2-ALU. WIRE 150117684
10	SUSPENSION CLAMP	1	ALUMINIUM ALLOY 24, 15141
9	CLEVIS EYE	1	FORGED STEEL 41015:2004
8	ARcing HORN (LINE SIDE)	2	MILD STEEL F-41015:2002
7	YOKE PLATE	1	MILD STEEL F-41015:2002
6	SOCKET CLEVIS	2	FORGED STEEL 41015:2004
5	BALL CLEVIS	2	FORGED STEEL 41015:2004
4	ARcing HORN (TOWER SIDE)	2	MILD STEEL F-41015:2002
3	YOKE PLATE	1	MILD STEEL F-41015:2002
2	STRAP	1	MILD STEEL F-41015:2002
1	EYE HOOK	1	FORGED STEEL 41015:2004

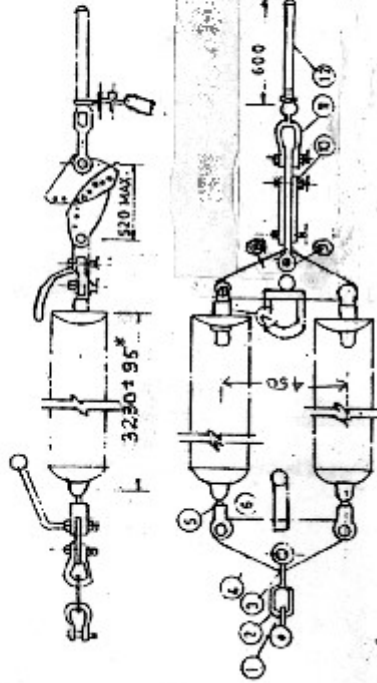
FOR BID PURPOSE ONLY

DRC NO		POWER GRID CORPORATION OF INDIA LTD.	
B/TL/220/M/DS		PROJECT	
DATE		220 KV TRANSMISSION LINES	
75.9.91		DOUBLE SUSPENSION STRING EQUIPMENT FOR DISC/LONG ROD INSULATORS	



SN	DESCRIPTION	QTY.	MATERIAL	MIN. ULTIMATE TENSILE STRENGTH
1	ANCHOR SHACKLE	1	FORGED STEEL	250 KN
2	CHAIN LINK	1	FORGED STEEL	320 KN
3	ANCHOR SHACKLE	1	FORGED STEEL	320 KN
4	YOKE	1	MILD STEEL	160 KN
5	BALL-CLEVIS	2	FORGED STEEL	160 KN
6	SPRING BUSH	1	MILD STEEL	NA
7	SOCKET-CLEVIS	2	FORGED STEEL	160 KN
8	YOKE	1	MILD STEEL	320 KN
9	CLEVIS EYE	2	FORGED STEEL	160 KN
10	SAG ADJUSTING PLATE	2	MILD STEEL	160 KN
11	ANCHOR SHACKLE	2	FORGED STEEL	160 KN
12	TENSION CLAMP	2	EC GRADE STEEL	152 KN SLIP STRENGTH

1. SPRING WASHER ELECTRO GALVANISED.
2. OTHER FERROUS PARTS HOT DIP GALVANISED.
3. BALL AND SOCKET SIZE 20 MM DESIGNATION.
4. THE OVER ALL MIN AND MAX DIMENSIONS INDICATED ARE INCLUSIVE OF MAX VARIATION IN LENGTH DUE TO:-  
 A) INSULATOR DISC TOLERANCE OF LENGTH  
 B) TOLERANCE ON TOTAL LENGTH OF HARD WARE FITTING OF 1.2 %  
 C) ADJUSTMENT OF SAG ADJUSTMENT DEVICE
5. THE TYPES OF THE VARIOUS FITTING AND MODE OF ATTACHMENT AS SHOWN ARE INDICATIVE ONLY AND NOT MANDATORY.
6. ALL DIMENSIONS ARE IN MM.



4400 (MIN) 4740 (MAX)  
 (UP TO THE POINT WHERE THE JUMPER LEAVES THE LUG)

\* Insulators in each arm  
 19X 170 mm Disc insulators  
 or  
 2X 16/5 mm long rod insulators (with intermediate arcing horns)

FOR BID PURPOSE ONLY

POWER GRID CORPORATION OF INDIA LIMITED	
CLEARED BY	PROJECT 220KV TRANSMISSION LINE (WITH SINGLE DEER)
DATE	TITLE DOUBLE TENSION STRING WITH DISC/LONG ROD INSULATORS
DRN	SCALE N.T.S
C.K.D.	APPD
DATE	REV
	0

